

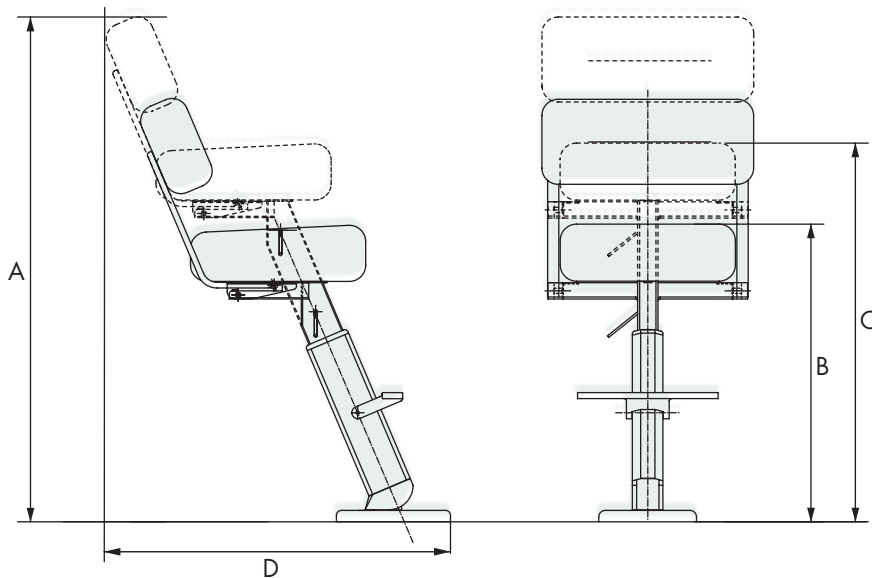


SEDIA GUIDA

Sedia guida pieghevole ad altezza regolabile, struttura portante in lega leggera anodizzata, sedile e schienale con rivestimento in sky o grezzo.

PILOT CHAIR

Folding pilot chair adjustable in height, construction of the supporting structure made of anodized light alloy, seat and back upholstery covered with similar leather or supplied in the rough.



CODICE Code	Rivestimento Covering		Dimensione - Size				Peso Weight
			A mm	B mm	C mm	D mm	kg
0800100	SKY BIANCO	white similar leather	1240	730	930	760	26
0800200	SKY NERO	black similar leather	1240	730	930	760	26
0800300	SENZA RIVESTIMENTO	without upholstery	1240	730	930	760	24